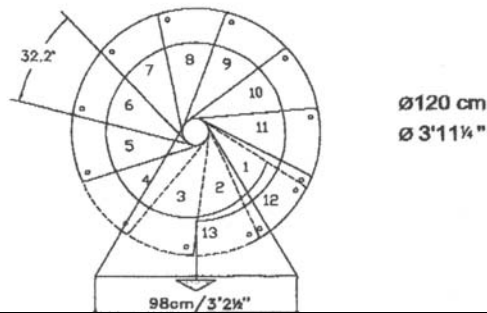
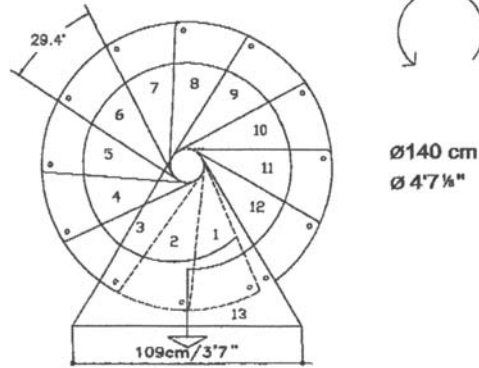
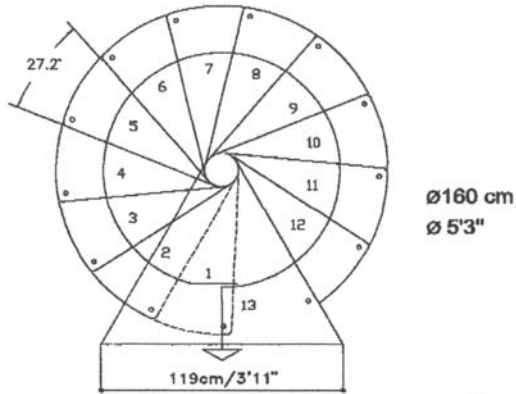


SPIRAL TECH

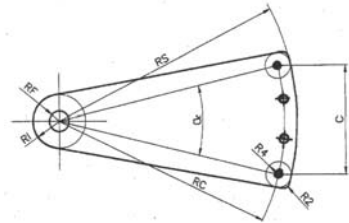
KLAN

(Opening add 5cm clearance to diameter all stairs)

FIG. 7



Klan Tread

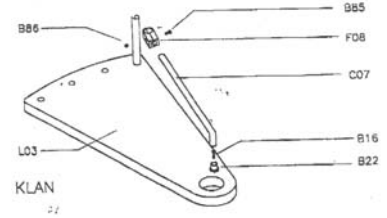


$$\varnothing 120, L = RC - RI \Rightarrow 495 \text{ mm}$$

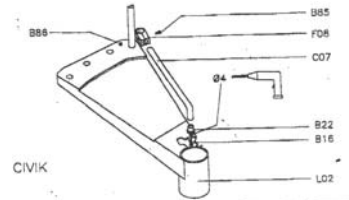
$$\varnothing 140, L = RC - RI \Rightarrow 577,5 \text{ mm}$$

$$\varnothing 160, L = RC - RI \Rightarrow 677,5 \text{ mm}$$

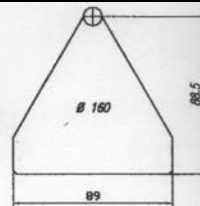
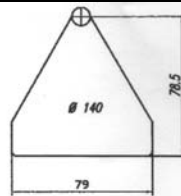
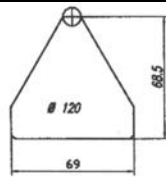
Riser Bar Detail Klan



Riser Bar Detail Civik



CIVIK



ZINK

